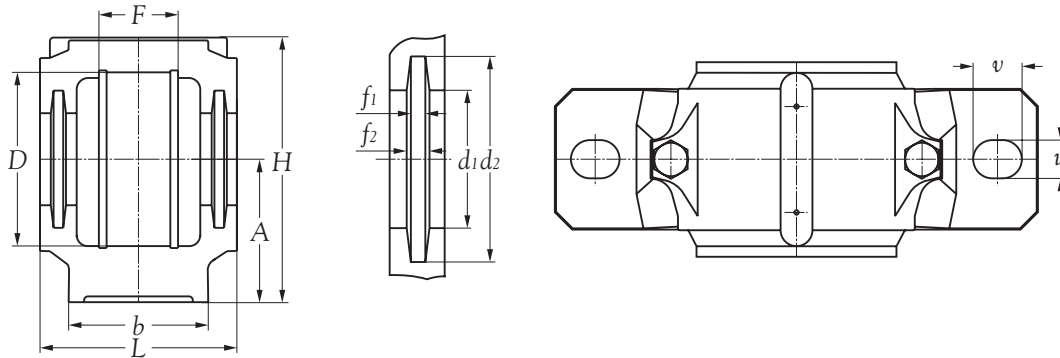


HOUSING SIZE	SHAFT DIAMETER d (mm)	PLUMMER BLOCK HOUSING	PLUMMER BLOCK HOUSING DIMENSIONS (mm)										
			D (H8)	B	b	G	F (H13)	A (h13)	L	H	E	d_1 (H12)	d_2 (H13)
SN 506	25	SN 506	62	185	52	22	30.0	50	77	90	150	26.5	38
SN 507	30	SN 507	72	185	52	22	33.0	50	82	95	150	31.5	43
SN 508	35	SN 508	80	205	60	25	33.0	60	85	112	170	36.5	48
SN 509	40	SN 509	85	205	60	25	31.0	60	85	112	170	41.5	53
SN 510	45	SN 510	90	205	60	25	33.0	60	90	115	170	46.5	58
SN 511	50	SN 511	100	255	70	28	33.0	70	95	130	210	51.5	67
SN 512	55	SN 512	110	255	70	30	38.0	70	105	135	210	56.5	72
SN 513	60	SN 513	120	275	80	30	43.0	80	110	150	230	62.0	77
SN 515	65	SN 515	130	280	80	30	41.0	80	115	155	230	67.0	82
SN 516	70	SN 516	140	315	90	32	43.0	95	120	175	260	72.0	89
SN 517	75	SN 517	150	320	90	32	46.0	95	125	185	260	77.0	94
SN 518	80	SN 518	160	345	100	35	62.4	100	145	195	290	82.0	99
SN 519	85	SN 519	170	345	100	35	53.0	112	140	210	290	87.0	104
SN 520	90	SN 520	180	380	110	40	70.3	112	160	215	320	92.0	111
SN 522	100	SN 522	200	410	120	45	80.0	125	175	239	350	102.0	125
SN 524	110	SN 524	215	410	120	45	86.0	140	185	270	350	113.0	135
SN 526	115	SN 526	230	445	130	50	90.0	150	190	290	380	118.0	140
SN 528	125	SN 528	250	500	150	50	98.0	150	205	305	420	128.0	154
SN 530	135	SN 530	270	530	160	60	106.0	160	220	325	450	138.0	164
SN 532	140	SN 532	290	550	160	60	114.0	170	235	340	470	143.0	173

Remark: All SN housings available with Felt-seals (FS).



PLUMMER BLOCK HOUSING DIMENSIONS (mm)							APPROPRIATE APARTMENT						
f ₁	f ₂	u	v	s	t	WEIGHT Kg	BEARING NUMBER		ADAPTER	LOCATING RING		FELT SEAL	END COVER
									SLEEVE	NUMBER	QTY		
4	5.4	15	20	M 12	M 8	2.3	1206 K		H 206	SR 62X7	2	FS 6X6X105	506 NA
							2206 K	22206 K	H 306	SR 62X10	1		
4	5.4	15	20	M 12	M 10	2.5	1207 K		H 207	SR 72X8	2	FS 6X6X120	507 NA
							2207 K	22207 K	H 307	SR 72X10	1		
4	5.4	15	20	M 12	M 10	3.4	1208 K		H 208	SR 80X7.5	2	FS 6X6X135	508 NA
							2208 K	22208 K	H 308	SR 80X10	1		
4	5.4	15	20	M 12	M 10	3.4	1209 K		H 209	SR 85X6	2	FS 6X6X150	509 NA
							2209 K	22209 K	H 309	SR 85X8	1		
4	5.4	15	20	M 12	M 10	3.6	1210 K		H 210	SR 90X6.5	2	FS 6X6X165	510 NA
							2210 K	22210 K	H 310	SR 90X10	1		
5	6.9	18	23	M 16	M 12	4.8	1211 K		H 211	SR 100X6	2	FS 6X9X190	511 NA-510 UA
							2211 K	22211 K	H 311	SR 100X8	1		
5	6.9	18	23	M 16	M 12	5.4	1212 K		H 212	SR 110X8	2	FS 6X9X205	512 NA-511 UA
							2212 K	22212 K	H 312	SR 110X10	1		
5	6.8	18	23	M 16	M 12	6.3	1213 K		H 213	SR 120X10	2	FS 6X9X220	513 NA-512 UA
							2213 K	22213 K	H 313	SR 120X12	1		
5	6.8	18	23	M 16	M 12	7.4	1215 K		H 215	SR 130X8	2	FS 6X9X235	515 NA-513 UA
							2215 K	22215 K	H 315	SR 130X10	1		
6	8.1	22	27	M 20	M 16	9.6	1216 K		H 216	SR 140X8.5	2	FS 8X10X255	516 NA
							2216 K	22216 K	H 316	SR 140X10	1		
6	8.1	22	27	M 20	M 16	9.8	1217 K		H 217	SR 150X9	2	FS 8X10X270	517 NA-515 UA
							2217 K	22217 K	H 317	SR 150X10	1		
6	8.1	22	27	M 20	M 16	14.2	1218 K		H 218	SR 160X16.2	2	FS 8X10X285	518 NA-516 UA
							2218 K	22218 K	H 318	SR 160X11.2	2		
6	8.1	22	27	M 20	M 16	15.2	23218 K		H 218	SR 160X10	1	FS 8X10X300	519 NA-517 UA
							1219 K	22219 K	H 219	SR 170X10.5	2		
7	9.3	26	32	M 24	M 20	19.0	2220 K	22220 K	H 220	SR 180X12.1	2	FS 9X10X320	520 NA-518 UA
							23220 K		H 2320	SR 180X10	1		
8	10.8	26	32	M 24	M 20	23.1	2222 K	22222 K	H 222	SR 200X13.5	2	FS 10X13X360	522 NA
							23222 K		H 2322	SR 200X10	1		
8	10.7	26	32	M 24	M 20	26.0	22224 K		H 3124	SR 215X14	2	FS 10X13X390	524 NA
							23224 K		H 2324	SR 215X10	1		
8	10.7	28	36	M 24	M 24	32.7	22226 K		H 3126	SR 230X13	2	FS 10X13X410	526 NA-519 UA
							23226 K		H 2326	SR 230X10	1		
9	12.2	33	42	M 30	M 24	43.5	22228 K		H 3128	SR 250X15	2	FS 12X14X445	528 NA-522 UA
							23228 K		H 2328	SR 250X10	1		
9	12.2	33	42	M 30	M 24	48.7	22230 K		H 3130	SR 270X16.5	2	FS 12X14X475	530 NA-524 UA
							23230 K		H 2330	SR 270X10	1		
10	13.7	33	42	M 30	M 24	60.7	22232 K		H 3132	SR 290X17	2	FS 12X17X500	532 NA-526 UA
							23232 K		H 2332	SR 290X10	1		

Remark: All SN housings available with Felt-seals (FS).