


Shaft dia. mm inch	Bearing number	Nominal dimensions											Basic load ratings		Weight Kg
		mm inch											N		
		<i>d</i>	<i>D</i>	<i>Bi</i>	<i>C</i>	<i>n</i>	<i>B</i>	<i>G</i>	<i>d<sub>3</sub></i>	<i>B<sub>5</sub></i>	<i>F</i>	<i>d<sub>s</sub></i>	dynamic <i>Cr</i>	static <i>Cor</i>	
12 1/2	UEL 201 D1	12	47	43.5	16	17.0	34.0	5.0	33.3	13.5	4.0	M 6X0.75	12,800	6,650	0.27
	UEL 201-8 D1	0.5000	1.8504	1.7126	0.6299	0.6693	1.3386	0.1968	1.3110	0.5315	0.1575	1/4-28 UNF			
15 5/8	UEL 202 D1	15	47	43.5	16	17.0	34.0	5.0	33.3	13.5	4.0	M 6X0.75	12,800	6,650	0.25
	UEL 202-10 D1	0.6250	1.8504	1.7126	0.6299	0.6693	1.3386	0.1968	1.3110	0.5315	0.1575	1/4-28 UNF			
17 11/16	UEL 203 D1	17	47	43.5	16	17.0	34.0	5.0	33.3	13.5	4.0	M 6X0.75	12,800	6,650	0.24
	UEL 203-11 D1	0.6875	1.8504	1.7126	0.6299	0.6693	1.3386	0.1968	1.3110	0.5315	0.1575	1/4-28 UNF			
20 3/4	UEL 204 D1	20	47	43.5	16	17.0	34.0	5.0	33.3	13.5	4.0	M 6X0.75	12,800	6,650	0.22
	UEL 204-12 D1	0.7500	1.8504	1.7126	0.6299	0.6693	1.3386	0.1968	1.3110	0.5315	0.1575	1/4-28 UNF			
25	UEL 205 D1	25	52	44.3	17	17.4	34.8	5.0	38.1	13.5	4.3	M 6X0.75	14,000	7,850	0.25
	UEL 205-16 D1	1.0000	2.0472	1.7441	0.6693	0.6850	1.3701	0.1968	1.5000	0.5315	0.1693	1/4-28 UNF			
30 1-1/8 1-1/4	UEL 206 D1	30	62	48.3	19	18.2	36.4	6.0	44.5	15.9	4.7	M 8X1	19,500	11,300	0.41
	UEL 206-18 D1	1.1250	2.4409	1.9016	0.7480	0.7165	1.4331	0.2362	1.7520	0.6260	0.1850	5/16-24 UNF			
	UEL 206-20 D1	1.2500													
35 1-1/4 1-3/8	UEL 207 D1	35	72	51.1	20	18.8	37.6	6.5	55.6	17.5	4.6	M 8X1	25,700	15,300	0.60
	UEL 207-20 D1	1.2500	2.8346	2.0118	0.7874	0.7402	1.4803	0.2559	2.1890	0.6890	0.1811	5/16-24 UNF			
	UEL 207-22 D1	1.3750													
40 1-1/2	UEL 208 D1	40	80	56.3	21	21.4	42.8	6.5	60.3	18.3	4.6	M 10X1.25	29,100	17,800	0.78
	UEL 208-24 D1	1.5000	3.1496	2.2165	0.8268	0.8425	1.6850	0.2559	2.3740	0.7205	0.1811	3/8-24 UNF			
45 1-5/8 1-3/4	UEL 209 D1	45	85	56.3	22	21.4	42.8	6.5	63.5	18.3	4.9	M 10X1.25	32,500	20,400	0.85
	UEL 209-26 D1	1.6250	3.3464	2.2165	0.8661	0.8425	1.6850	0.2559	2.5000	0.7205	0.1929	3/8-24 UNF			
	UEL 209-28 D1	1.7500													
50 1-7/8	UEL 210 D1	50	90	62.7	24	24.6	49.2	6.5	69.9	18.3	5.5	M 10X1.25	35,000	23,200	1.01
	UEL 210-30 D1	1.8750	3.5433	2.4685	0.9449	0.9685	1.9370	0.2559	2.7520	0.7205	0.2166	3/8-24 UNF			
55	UEL 211 D1	55	100	71.4	25	27.7	55.4	8.0	76.2	20.7	5.4	M 10X1.25	43,500	29,200	1.39
	UEL 211-32 D1	2.0000	3.9370	2.8110	0.9842	1.0906	2.1811	0.3150	3.0000	0.8150	0.2126	3/8-24 UNF			

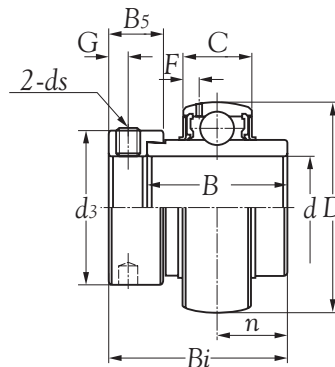
Remark: 1) Bearing with grease holes and grease groove.  
2) Bearing without stop pin.



**Technical supplement**


<b>Cages</b>	<b>Slinger</b>	<b>Precision</b>	<b>Grease</b>
Steel	Steel	Normal	Shell Alvania RLQ 2

Remark: If you have more inquiry of technical, please inquire  
SLB web-site: [Http://www.slbgroup.com](http://www.slbgroup.com).



Shaft dia. mm inch	Bearing number	Nominal dimensions											Basic load ratings		Weight Kg
		mm inch											N		
		d	D	Bi	C	n	B	G	d <sub>3</sub>	B <sub>5</sub>	F	d <sub>s</sub>	dynamic C <sub>r</sub>	static C <sub>or</sub>	
60 2-1/4	UEL 212 D1 UEL 212-36 D1	60 2.2500	110 4.3307	77.8 3.0630	27 1.0630	30.9 1.2165	61.9 2.4370	8.0 0.3150	84.2 3.3150	22.3 0.8780	5.9 0.2323	M 10X1.25 3/8-24 UNF	52,500	36,000	1.87 2.03
65 2-1/2	UEL 213 D1 UEL 213-40 D1	65 2.5000	120 4.7244	85.7 3.3740	28 1.1024	34.1 1.3425	68.6 2.7008	8.5 0.3346	86.0 3.3858	23.5 0.9252	5.5 0.2166	M 10X1.25 3/8-24 UNF	57,500	40,000	2.41 2.51
70 2-3/4	UEL 214 D1 UEL 214-44 D1	70 2.7500	125 4.9212	85.7 3.3740	30 1.1811	34.1 1.3425	68.6 2.7008	8.5 0.3346	90.0 3.5433	23.5 0.9252	6.1 0.2402	M 10X1.25 3/8-24 UNF	62,000	44,000	2.57 2.58
75 3	UEL 215 D1 UEL 215-48 D1	75 3.0000	130 5.1181	92.1 3.6260	32 1.2598	37.3 1.4685	75.0 2.9528	8.5 0.3346	102.0 4.0157	23.5 0.9252	6.8 0.2677	M 10X1.25 3/8-24 UNF	66,000	49,500	2.84 2.74

Remark: 1) Bearing with grease holes and grease groove.  
2) Bearing without stop pin.



**Technical supplement**

<b>Cages</b>	<b>Slinger</b>	<b>Precision</b>	<b>Grease</b>
Steel	Steel	Normal	Shell Alvania RLQ 2

Remark: If you have more inquiry of technical, please inquire  
**SLB** web-site: [Http://www.slbgroup.com](http://www.slbgroup.com).