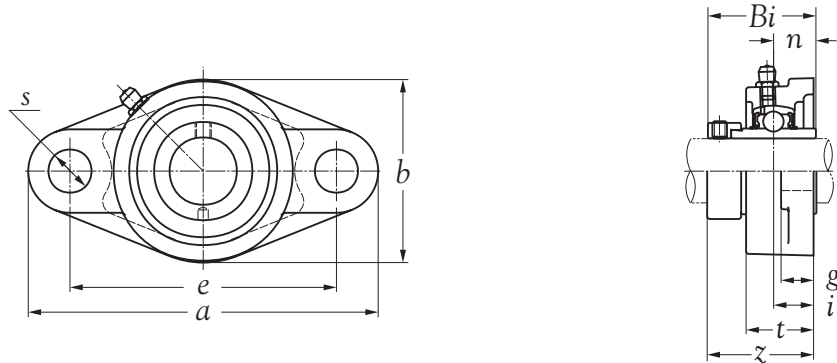


Shaft dia. mm inch	Unit number	Nominal dimensions										Bolt size mm inch	Bearing number	Housing number	Mass of unit Kg
		mm inch													
		a	e	i	g	t	b	s	z	Bi	n				
12 1/2	UELFL 201	113	90	15	11	25.5	60	12	41.5	43.5	17.0	M 10	UEL 201	FL 204	0.53
	UELFL 201-8	4-29/64	3-35/64	19/32	7/16	1	15/32	2-23/64	1-41/64	1.7126	0.6693	3/8	UEL 201-8		0.53
15 5/8	UELFL 202	113	90	15	11	25.5	60	12	41.5	43.5	17.0	M 10	UEL 202	FL 204	0.51
	UELFL 202-10	4-29/64	3-35/64	19/32	7/16	1	15/32	2-23/64	1-41/64	1.7126	0.6693	3/8	UEL 202-10		0.51
17 11/16	UELFL 203	113	90	15	11	25.5	60	12	41.5	43.5	17.0	M 10	UEL 203	FL 204	0.50
	UELFL 203-11	4-29/64	3-35/64	19/32	7/16	1	15/32	2-23/64	1-41/64	1.7126	0.6693	3/8	UEL 203-11		0.50
20 3/4	UELFL 204	113	90	15	11	25.5	60	12	41.5	43.5	17.0	M 10	UEL 204	FL 204	0.48
	UELFL 204-12	4-29/64	3-35/64	19/32	7/16	1	15/32	2-23/64	1-41/64	1.7126	0.6693	3/8	UEL 204-12		0.49
25 1	UELFL 205	130	99	16	13	27.0	68	16	42.9	44.3	17.4	M 14	UEL 205	FL 205	0.64
	UELFL 205-16	5-1/8	3-57/64	5/8	3/64	1-1/16	5/8	2-43/64	1-11/16	1.7441	0.6850	1/2	UEL 205-16		0.63
30 1-1/8 1-1/4	UELFL 206	148	117	18	13	31.0	80	16	48.1	48.3	18.2	M 14	UEL 206	FL 206	1.00
	UELFL 206-18												UEL 206-18		1.02
	UELFL 206-20	5-53/64	4-39/64	45/64	3/64	1-7/32	5/8	3-5/32	1-57/64	1.9016	0.7165	1/2	UEL 206-20		0.97
35 1-1/4 1-3/8	UELFL 207	161	130	19	14	34.0	90	16	51.3	51.1	18.8	M 14	UEL 207	FL 207	1.27
	UELFL 207-20												UEL 207-20		1.35
	UELFL 207-22	6-11/32	5-1/8	3/4	35/64	1-11/32	5/8	3-35/64	2-1/64	2.0118	0.7402	1/2	UEL 207-22		1.28
40 1-1/2	UELFL 208	175	144	21	14	36.0	100	16	55.9	56.3	21.4	M 14	UEL 208	FL 208	1.57
	UELFL 208-24	6-57/64	5-43/64	53/64	35/64	1-27/64	5/8	3-15/16	2-13/64	2.2165	0.8425	1/2	UEL 208-24		1.62
45 1-5/8 1-3/4	UELFL 209	188	148	22	16	38.0	108	19	56.9	56.3	21.4	M 16	UEL 209	FL 209	1.97
	UELFL 209-26												UEL 209-26		2.08
	UELFL 209-28	7-13/32	5-53/64	55/64	5/8	1-1/2	3/4	4-1/4	2-15/64	2.2165	0.8425	5/8	UEL 209-28		1.99
50 1-7/8	UELFL 210	197	157	22	16	40.0	115	19	60.1	62.7	24.6	M 16	UEL 210	FL 210	2.34
	UELFL 210-30	7-3/4	6-3/16	55/64	5/8	1-37/64	3/4	4-17/32	2-23/64	2.4685	0.9685	5/8	UEL 210-30		2.43
55 2	UELFL 211	224	184	25	18	43.0	130	19	68.6	71.4	27.7	M 16	UEL 211	FL 211	3.13
	UELFL 211-32	8-13/16	7-1/4	63/64	45/64	1-11/16	3/4	5-1/8	2-45/64	2.8110	1.0906	5/8	UEL 211-32		3.32
60 2-1/4	UELFL 212	250	202	29	18	48.0	140	23	75.8	77.8	30.9	M 20	UEL 212	FL 212	4.10
	UELFL 212-36	9-27/32	7-61/64	1-9/64	45/64	1-57/64	29/32	5-3/64	2-63/64	3.0630	1.2165	3/4	UEL 212-36		4.26
65 2-1/2	UELFL 213	258	210	30	20	50.0	155	23	81.6	85.7	34.1	M 20	UEL 213	FL 213	5.18
	UELFL 213-40	10-5/32	8-17/64	1-3/16	25/32	1-31/32	29/32	6-7/64	3-7/32	3.3740	1.3425	3/4	UEL 213-40		5.28
70 2-3/4	UELFL 214	265	216	31	20	54.0	160	23	82.6	85.7	34.1	M 20	UEL 214	FL 214	5.74
	UELFL 214-44	10-7/16	8-1/2	1-7/32	25/32	2-1/8	29/32	6-19/64	3-1/4	3.3740	1.3425	3/4	UEL 214-44		5.75

Remark: 1) Regular production in "J" tolerance.
2) Bearing unit with grease holes and grease groove.
3) Bearing unit without stop pin.



Shaft dia. mm inch	Unit number	Nominal dimensions										Bolt size mm inch	Bearing number	Housing number	Mass of unit Kg
		<i>a</i>	<i>e</i>	<i>i</i>	<i>g</i>	<i>t</i>	<i>b</i>	<i>s</i>	<i>z</i>	<i>Bi</i>	<i>n</i>				
75	UELFL 215	275	225	34	22	55.0	164	23	88.8	92.1	37.3	M 20	UEL 215	FL 215	5.99
3	UELFL 215-48	10-53/64	8-55/64	1-11/32	25/32	2-13/64	29/32	6-1/2	3-1/2	3.6260	1.4685	3/4	UEL 215-48		5.89

- Remark: 1) Regular production in "J" tolerance.
 2) Bearing unit with grease holes and grease groove.
 3) Bearing unit without stop pin.