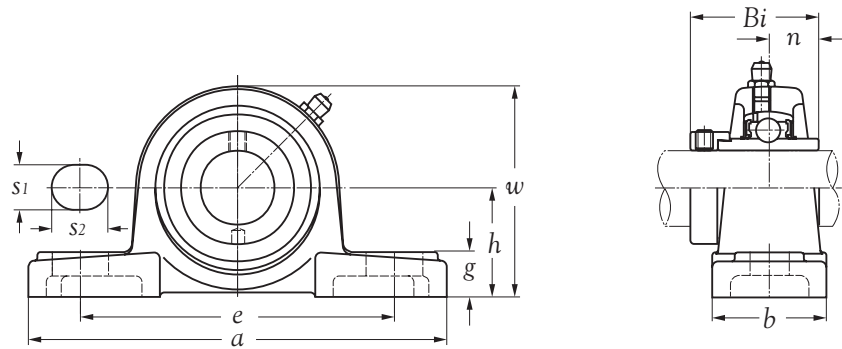


Shaft dia. mm inch	Unit number	Nominal dimensions										Bolt size mm inch	Bearing number	Housing number	Mass of unit Kg
		h	a	e	b	s ₁	s ₂	g	w	Bi	n				
12 1/2	UEL P 201	30.2	127	96	37	13	19	14	60.7	43.5	17.0	M 10	UEL 201	P 203	0.74
	UEL P 201-8	1-3/16	5	3-25/32	1-29/64	3/64	3/4	35/64	2-25/64	1.7126	0.6693	3/8	UEL 201-8		0.74
15 5/8	UEL P 202	30.2	127	96	37	13	19	14	60.7	43.5	17.0	M 10	UEL 202	P 203	0.72
	UEL P 202-10	1-3/16	5	3-25/32	1-29/64	3/64	3/4	35/64	2-25/64	1.7126	0.6693	3/8	UEL 202-10		0.72
17 11/16	UEL P 203	30.2	127	96	37	13	19	14	60.7	43.5	17.0	M 10	UEL 203	P 203	0.71
	UEL P 203-11	1-3/16	5	3-25/32	1-29/64	3/64	3/4	35/64	2-25/64	1.7126	0.6693	3/8	UEL 203-11		0.71
20 3/4	UEL P 204	33.3	127	96	37	13	16	14	65.0	43.5	17.0	M 10	UEL 204	P 204	0.71
	UEL P 204-12	1-5/16	5	3-25/32	1-29/64	3/64	5/8	35/64	2-9/16	1.7126	0.6693	3/8	UEL 204-12		0.72
25 1	UEL P 205	36.5	140	105	38	13	19	15	71.0	44.3	17.4	M 10	UEL 205	P 205	0.81
	UEL P 205-16	1-7/16	5-3/64	4-9/64	1-1/2	3/64	3/4	19/32	2-51/64	1.7441	0.6850	3/8	UEL 205-16		0.80
30 1-1/8 1-1/4	UEL P 206	42.9	160	121	44	14	19	16	83.0	48.3	18.2	M 12	UEL 206	P 206	1.31
	UEL P 206-18	1-11/16	6-19/64	4-49/64	1-47/64	35/64	3/4	5/8	3-17/64	1.9016	0.7165	7/16	UEL 206-18		1.33
	UEL P 206-20		UEL 206-20	1.28											
35 1-1/4 1-3/8	UEL P 207	47.6	167	126	48	15	19	17	93.0	51.1	18.8	M 12	UEL 207	P 207	1.68
	UEL P 207-20	1-7/8	6-37/64	4-31/32	1-57/64	19/32	3/4	43/64	3-43/64	2.0118	0.7402	7/16	UEL 207-20		1.76
	UEL P 207-22		UEL 207-22	1.69											
40 1-1/2	UEL P 208	49.2	180	136	52	15	21	18	100.0	56.3	21.4	M 12	UEL 208	P 208	2.02
	UEL P 208-24	1-15/16	7-3/32	5-23/64	2-3/64	19/32	53/64	45/64	3-15/16	2.2165	0.8425	7/16	UEL 208-24		2.07
45 1-5/8 1-3/4	UEL P 209	54.0	190	146	54	15	21	20	108.0	56.3	21.4	M 12	UEL 209	P 209	2.36
	UEL P 209-26	2-1/8	7-31/64	5-3/4	2-1/8	19/32	53/64	25/32	4-1/4	2.2165	0.8425	7/16	UEL 209-26		2.47
	UEL P 209-28		UEL 209-28	2.38											
50 1-7/8	UEL P 210	57.2	204	159	57	19	22	21	114.0	62.7	24.6	M 16	UEL 210	P 210	2.94
	UEL P 210-30	2-1/4	8-1/64	6-17/64	2-15/64	3/4	55/64	53/64	4-31/64	2.4685	0.9685	5/8	UEL 210-30		3.03
55 2	UEL P 211	63.5	217	172	60	19	22	22	126.0	71.4	27.7	M 16	UEL 211	P 211	3.59
	UEL P 211-32	2-1/2	8-35/64	6-49/64	2-23/64	3/4	55/64	55/64	4-61/64	2.8110	1.0906	5/8	UEL 211-32		3.78
60 2-1/4	UEL P 212	69.9	238	186	66	19	25	24	138	77.8	30.9	M 16	UEL 212	P 212	4.95
	UEL P 212-36	2-3/4	9-3/8	7-21/64	2-39/64	3/4	63/64	15/16	5-7/16	3.0630	1.2165	5/8	UEL 212-36		5.11
65 2-1/2	UEL P 213	76.2	262	203	70	23	29	26	151	85.7	34.1	M 20	UEL 213	P 213	6.35
	UEL P 213-40	3	10-5/16	7-63/64	2-3/4	29/32	1-9/64	1-1/64	5-61/64	3.3740	1.3425	3/4	UEL 213-40		6.45
70 2-3/4	UEL P 214	79.4	266	210	72	23	29	27	155.0	85.7	34.1	M 20	UEL 214	P 214	6.95
	UEL P 214-44	3-1/8	10-15/32	8-17/64	2-53/64	29/32	1-9/64	1-1/16	6-7/64	3.3740	1.3425	3/4	UEL 214-44		6.96

Remark: 1) Regular production in "J" tolerance.
 2) Bearing unit with grease holes and grease groove.
 3) Bearing unit without stop pin.



Shaft dia. mm inch	Unit number	Nominal dimensions										Bolt size mm inch	Bearing number	Housing number	Mass of unit Kg
		h	a	e	b	s ₁	s ₂	g	w	Bi	n				
75	UEL P 215	82.6	274	217	74	25	29	28	161.6	92.1	37.3	M 20	UEL 215	P 215	7.70
3	UEL P 215-48	3-1/4	10-25/32	8-35/64	2-29/32	63/64	1-9/64	1-7/64	6-23/64	3.6260	1.4685	3/4	UEL 215-48		7.60

- Remark: 1) Regular production in "J" tolerance.
 2) Bearing unit with grease holes and grease groove.
 3) Bearing unit without stop pin.